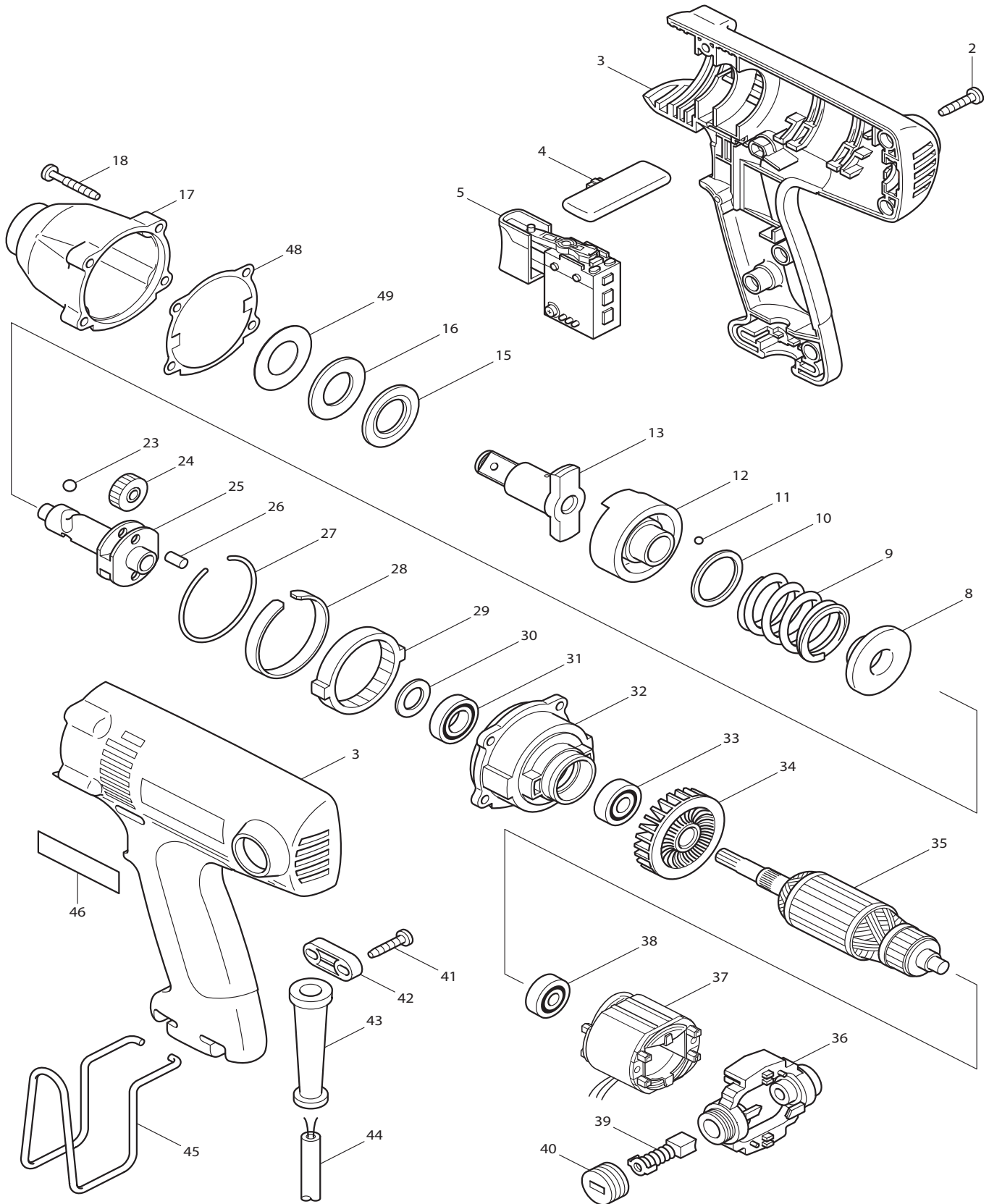




11-2009
6953
1/2" IMPACT WRENCH



Item No	Type	Ref	Part No	Description	Qty	Unit
001			853010-4	NAME PLATE 6953	1	PC.
002			265995-6	TAPPING SCREW 4X18	7	PC.
003			183394-9	HOUSING SET	1	SET
		INC.	263002-9	RUBBER PIN 4	2	PC.
		INC.		Item No. 46		
004			417553-6	F/R CHANGE LEVER	1	PC.
005			650523-4	SWITCH C3MA-DB	1	PC.
008			267759-4	CUP WASHER 14	1	PC.
009			233335-6	COMPRESSION SPRING 25	1	PC.
010			267175-0	FLAT WASHER 24	1	PC.
011			216001-0	STEEL BALL 3.5	25	PC.
012			324174-6	HAMMER	1	PC.
013			324178-8	ANVIL	1	PC.
015			267227-7	FLAT WASHER 18	1	PC.
016			261120-7	RUBBER WASHER 18	1	PC.
017			152827-5	HAMMER CASE COMPLETE	1	PC.
		INC.	213257-6	OIL SEAL 18	1	PC.
		INC.	257714-4	SLEEVE 18	1	PC.
018			266295-7	HEX. SOCKET HEAD BOLT M4X30 (WITH ADHESIVE)	4	PC.
023			216011-7	STEEL BALL 5.6	2	PC.
024	2		227233-4	SPUR GEAR 22 (GROOVE ON 1 SIDE)	2	PC.
025			324090-2	SPINDLE	1	PC.
026			256253-1	PIN 5	2	PC.
027			233910-8	RING SPRING 43	1	PC.
028			344991-8	C-SLEEVE 45	1	PC.
029			227001-5	INTERNAL GEAR 51	1	PC.
030			267212-0	FLAT WASHER 12	1	PC.
031	2		211496-2	BALL BEARING 6901LLB	1	PC.
032			317428-8	INTERNAL GEAR CASE	1	PC.
033			210024-0	BALL BEARING 608LLU	1	PC.
034			240046-6	FAN 46	1	PC.
035			517551-1	ARMATURE ASS'Y 115V	1	PC.
		INC.		Item No. 33,34,38		
036			152990-4	HOLDER ARM COMPLETE	1	PC.
		INC.	643981-1	BRUSH HOLDER 6X9	2	PC.
037			635046-3	FIELD 115V	1	PC.
038			211021-9	BALL BEARING 607LLB	1	PC.
039	2		195008-8	CARBON BRUSH CB-408 2PC/SET (W/ ORIGIN)	1	SET
040			643928-5	BRUSH HOLDER CAP	2	PC.
041			265995-6	TAPPING SCREW 4X18	2	PC.
042			687063-9	STRAIN RELIEF	1	PC.
043			682559-5	CORD GUARD 8	1	PC.
044			664064-4	CORD W/PLUG 2P-18-2.5M, SJ	1	PC.
045			324284-9	HOOK	1	PC.
046			819063-3	MAKITA LABEL	1	PC.
048			442137-1	GASKET	1	PC.
049			267235-8	FLAT WASHER 18	1	PC.
100			322045-1	CLIP	1	PC.
101			323675-1	PIN 4	1	PC.
E01	1		810134-9	CAUTION LABEL SP	1	PC.
	2		892672-3	CAUTION LABEL SP	1	PC.
ACCESSORIES			- See catalogue or visit www. Makita.ca for more accessories information -			
A01			824630-1	PLASTIC CARRYING CASE	1	PC.
		INC.	186347-7	SLIDE LATCH SET	1	SET
A02			---	DEEP DRIVE SOCKETS		
A03			---	WORK GLOVES		